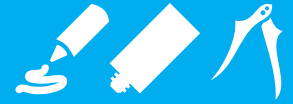
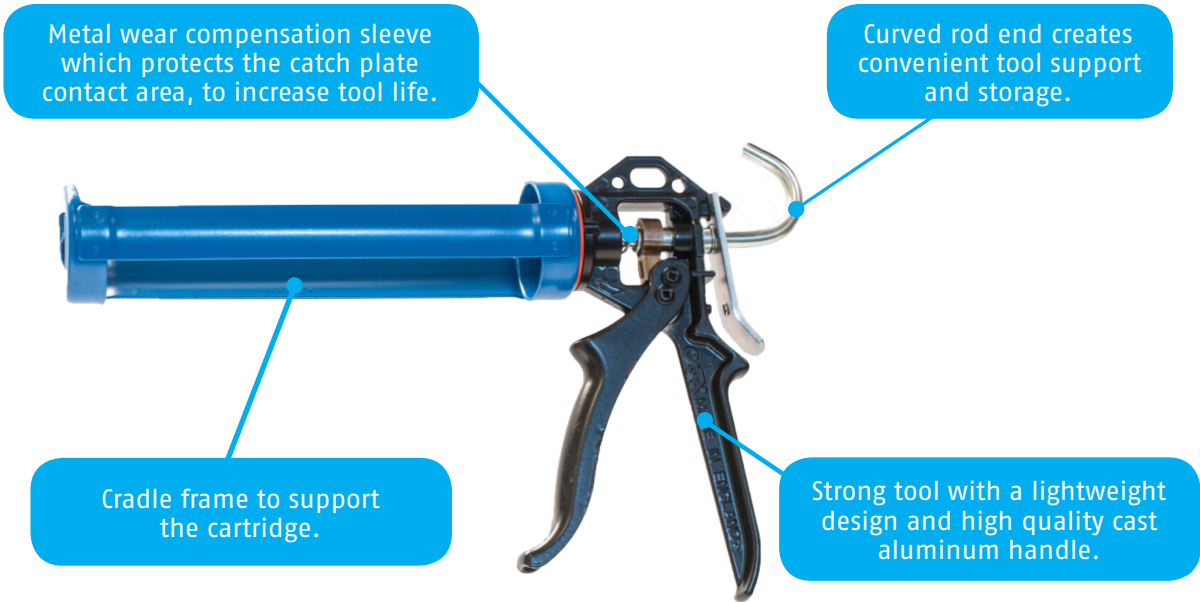


Powerflow™ HP

CARTRIDGE 310ml



A single component manual bead applicator for cartridges



PRODUCT FEATURES:

- Strong rotating steel frame which copes easily with high loads and is easy to manoeuvre in tight spaces.
- Surface hardened rod for high wear resistance, to increase the working life of the tool.
- Hardened rod release plate maintains high material output for the life of the tool.
- Plated metal components which increase the resistance to part corrosion.
- Superb build quality. These tools are designed with the professional in mind (high service life).
- Optional pressure relief device for stopping material flow when trigger is released.

The **Cox Powerflow HP** is part of a range of high-powered manual applicators. Designed for use with medium to high viscosity sealants and adhesives, the Powerflow Cartridge HP is ideal for professional users.

For more information call +44(0)1635 264500
Or visit www.pccox.co.uk



The original

TECHNICAL DATASHEET

Powerflow™ HP CARTRIDGE 310ml



A single component manual bead applicator for cartridges

APPLICATIONS:

- For medium to high viscosity
- Cartridge: 1-component
- Cartridge volumes: 310ml

SPECIFICATIONS:

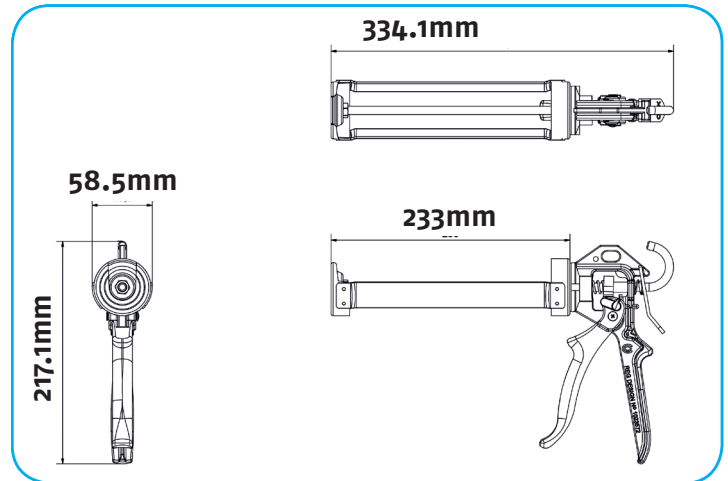
- Mechanical Advantage (ratio): 18:1
- Barrel Length: 233mm
- Max Force (Plunger): 3.5kN
- Tool Weight: 790g
- Handle Material: Epoxy coated aluminium
- Frame Material: Epoxy coated steel cradle
- Certificates: ISO, REACH
- Packaging Options: single or 5/6/10/12/15 per box

WEB LINKS:

- Academy video
www.pccox.co.uk/en/cox-academy
- Spare parts diagram
www.pccox.co.uk/en/exploded-diagrams

OTHER MODELS AVAILABLE:

- Powerflow Cartridge
- Powerflow Combi
- Powerflow Bulk
- Powerflow 1ltr
- Powerflow Quart



CARTRIDGE:

310ml:



PRODUCT RANGE BY POWER:



PC Cox Ltd., Turnpike Road, Newbury, Berkshire, RG14 2LR
 T Sales +44 (0) 1635 264500 F +44 (0) 1635 264555
 E sales@pccox.co.uk
 www.pccox.co.uk



©PC Cox Ltd. 2014. Cox is a trademark of PC Cox Ltd. Every effort has been made to ensure that the information contained in this leaflet was correct at the time of going to press. However, the company retains the right to change any specification without notice, in line with the company's policy of continual product development.