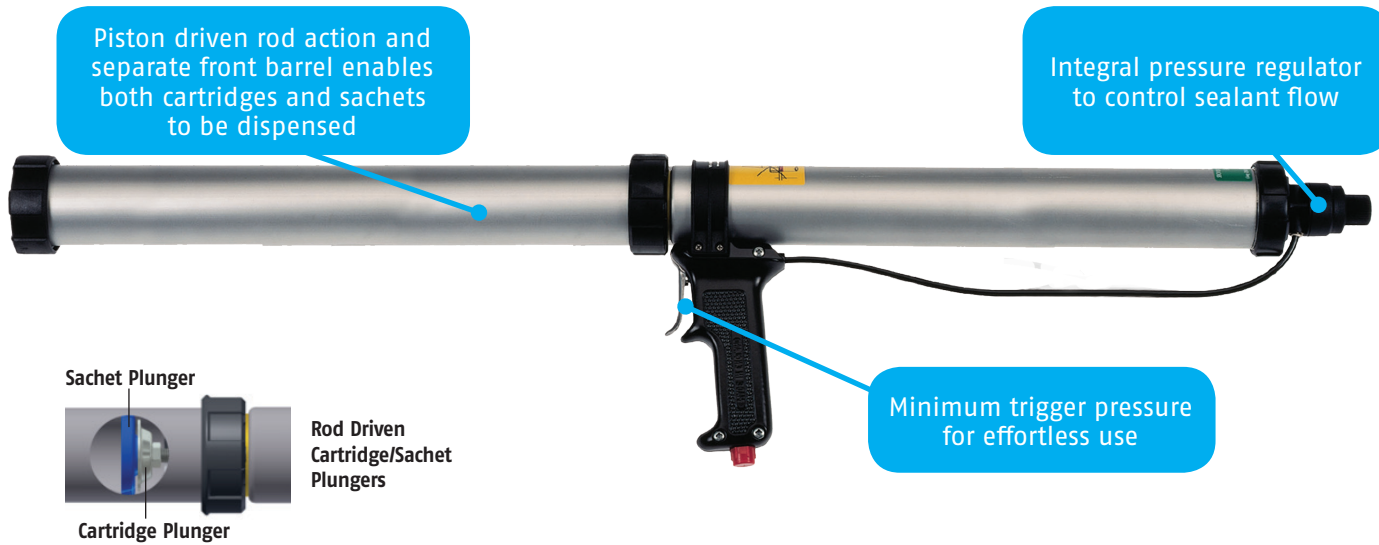
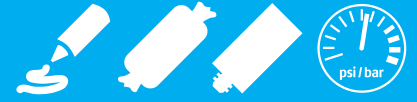


Airflow 1™





COMBI 600ml

A single component pneumatic bead applicator for cartridges and sachets



PRODUCT FEATURES:

- 20% more power than Airflow 1 cartridge for higher viscose materials
- High volume trigger valve for immediate sealant flow
- Quick exhaust valve to minimise "flow-on"
- Manufactured in UK to high quality standards for reliability and safety
- Wide range of accessories and spare available to make the most of the applicator and give it a long service life
- 6.8bar (100psi) regulator as standard (others available).

Standard:	6.8 bar (100 psi)	
Options available:	3.4 bar (50 psi)	
	5.2 bar (75 psi)	
	8.5 bar (125 psi)	

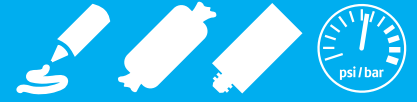
The Cox Airflow 1 is part of a range of pneumatic applicators. Ideally suited to larger scale production line and commercial operations where easy access to compressed air is available, giving substantial productivity gains over manual applicators. The Airflow range provides fast, effortless application and smooth consistent sealant flow for high quality workmanship.

For more information call +44(0)1635 264500
Or visit www.pccox.co.uk

Airflow 1™

COMBI 600ml

A single component pneumatic bead applicator for cartridges and sachets



APPLICATIONS:

- For low to medium viscosity
- Cartridge: 1-component
- Cartridge volumes: 310ml, 400ml
- Sachet volumes: 310ml, 400ml, 600ml

SPECIFICATIONS:

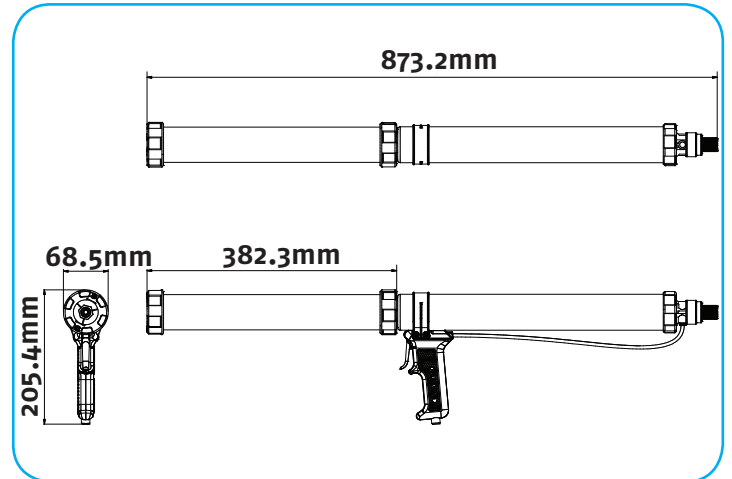
- Max Pneumatic Pressure: 6.8bar (100psi) (others available)
- Maximum Thrust: 1.34 kN (with 6.8 bar regulator)
- Barrel Length: 382.3mm
- Tool Weight: 1.39kg
- Tool Material: Black cast aluminium with epoxy coating handle, silver anodised aluminium barrel
- Certificates: ISO, REACH, CE, EN
- Packaging Options: 1 or 10 per box

WEB LINKS:

- **Academy video**
www.pccox.co.uk/en/cox-academy
- **Spare parts diagram**
www.pccox.co.uk/en/exploded-diagrams

OTHER MODELS AVAILABLE:

- Airflow 1 Cartridge
- Airflow 1 Sachet
- Airflow 1 Combi HP
- Airflow 1 1000 S
- Airflow 1 1000 L
- Airflow 1 BULK
- See also: Airflow 2 range or Airflow 3 range



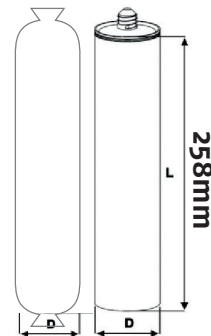
CARTRIDGES/SACHETS:

310ml:



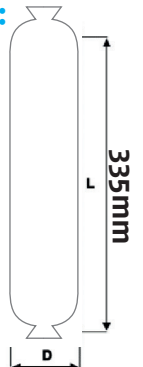
50mm 51mm

400ml:



50mm 51mm

600ml:



50mm

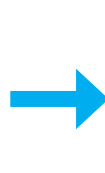
COMPRESSOR GUIDE



Output of around 150L/min (5cfm) with receiver tank from 10L (PC Cox recommends 50L for long tool life)



Airline/Hose



Connector Options.
Standard applicator provided without a connector, can be bought separately.



Air tool with exhaust valve (rapid depressurisation when trigger is released)